



**Installation Options**

- Wall mounted - ENC 1001
- Concealed installation
- Frame mounted - ENC 1002
- For wall hung or floor mounted WCs

**Applications**

- Hotels
- Offices
- Residential
- Public Buildings
- Retail
- Leisure Facilities
- Any building that has a/c

**Images**

- Photo of cistern - 80mm x 80mm
- Dimension drawing 80mm x 80mm

**Features**

- Grey water input
- BREEAM/LEED Credits available
- Water saving

**Technical data**

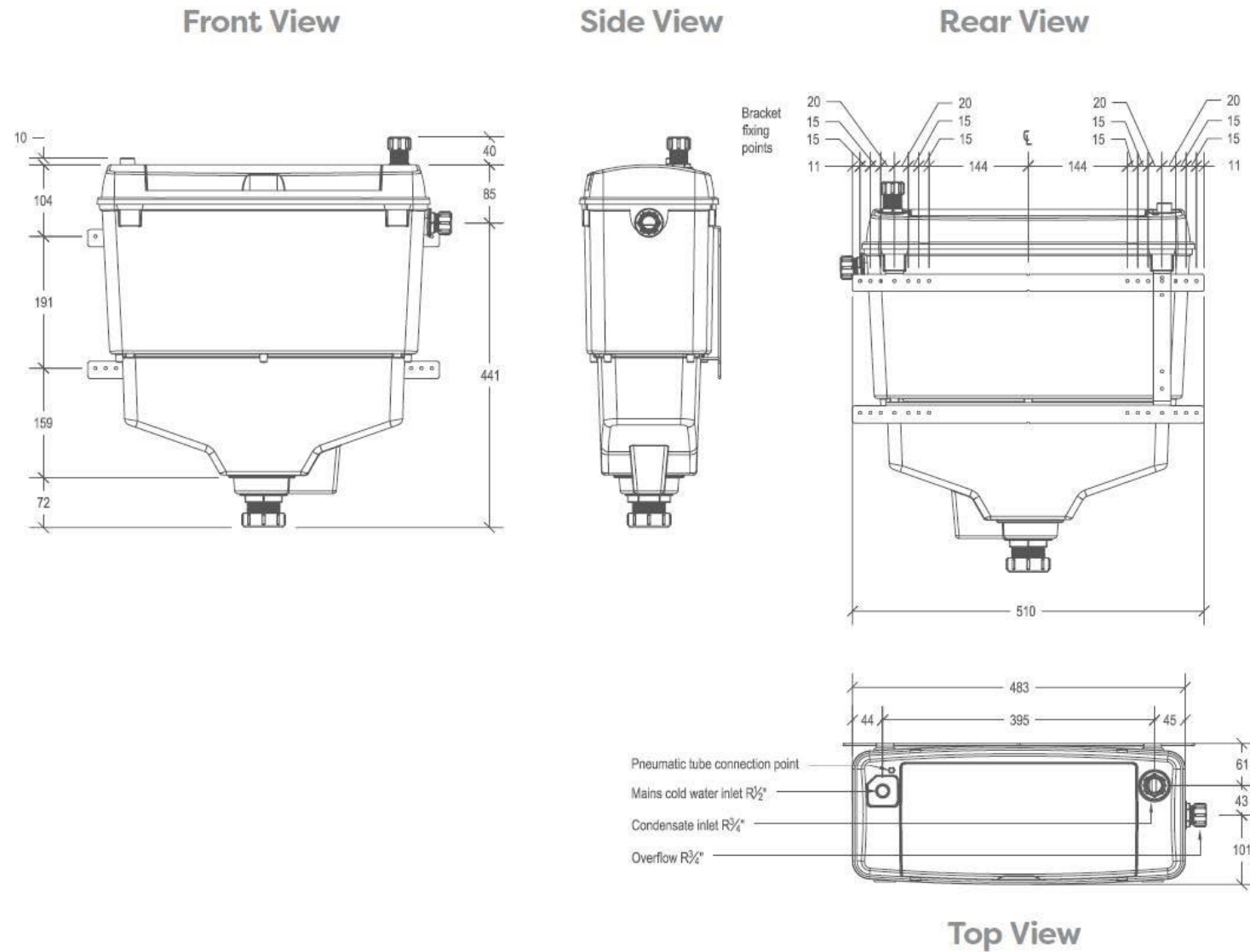
- Material - HIPS and Polyoxmethylene (POM)
- Capacity - 18 litres
- Flush Volume - Adjustable between 6 litres & 3.5 litres
- CAT 5 Compliant
- Mains water supply R 1/2
- Overflow R 3/4
- Grey water supply R 3/4
- Wall/Frame mounting bracket option
- Pneumatic activation - Manual/IR flush plate option
- Dimensions - 485h x 476w x 195d
- Weight - 2.5kg
- Colour - White

**Notes**

- Supplied with 600mm plastic air tube
- Supplied with 2" - 1 1/2" flush pipe and fittings
- Dual fixing points allowing front or rear fixing

The Green Futures Initiative Ltd. Makes every effort to ensure that the information provided on its website is accurate. However, we cannot guarantee this, and accept no liability for any information or advice given via its website.

**Specification**



Float Valve - 1704004



Inlet Valve - 1604904